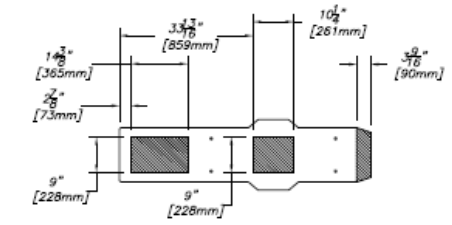
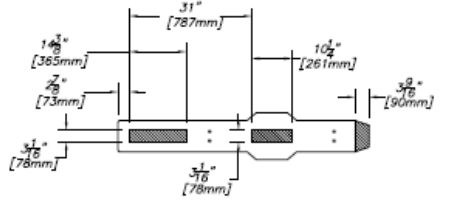


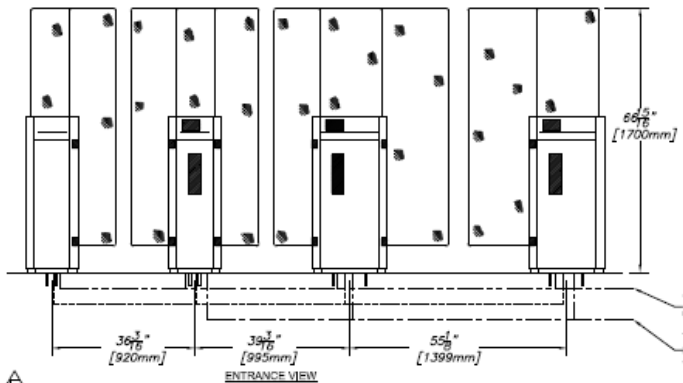
PNG-391 CLOSING PLATE
REF: 0853F00100



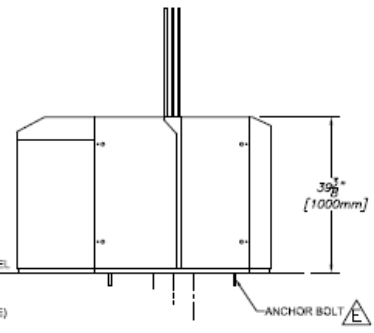
PNG-381 CLOSING PLATE
REF: 0811F18300



AREAS FOR CONDUIT PENETRATION SHOWN IN HATCH PATTERN



FINISHED FLOOR LEVEL
 TO SECURITY DESK (COMMUNICATION CABLE)
 TO ELECTRICAL PANEL
 3 CIRCUITS ARE NEEDED 1 CIRCUIT BY LINE



- NOTES:**
- ALL WIRING MUST MEET OR EXCEED STANDARDS, CODES AND MUST BE INSTALLED BY A CERTIFIED TECHNICIAN.
 - ANCHORAGE: FIXED WITH CLAMPS.
 - 1/2" X 5" ANCHOR BOLTS FURNISHED BY ASA. (DRILL SIZE 6/32")
 - SEE DRAWING PNG4EL01-EN FOR ELECTRICAL CONNECTIONS.

- A- SEPARATE POWER SUPPLY TO EACH RIGHT AND INTERMEDIATE GATE. CABLE: 2 CONDUCTORS 14 AWG 117 VAC + GROUND CONDUIT: PVC 1/2" OR 3/4"
- B- CONDUIT: PVC 1/2" OR 3/4"
- 1- CONNECTION CABLE CABLE: COMTRAN CORP, TYPE 7110 12 CONDUCTORS 18 AWG
- 2- REMOTE CONTROL CABLE (IF OPTION SELECTED) CABLE: 12 PAIRS 18 AWG CMR/CPPL
- C- MOTOR CONNECTION CABLE CABLE: BELDEN #29500 4 CONDUCTORS 16 AWG WITH OVERALL BRAID SHIELD. CONDUIT: PVC 1/2" OR 3/4"

AUTOMATIC SYSTEMS AMERICA INC. MAKES NO REPRESENTATIONS AS TO THE PROPER POSITIONING OF THE OPTICAL PORTALS AT THE INSTALLATION LOCATION. ESTABLISHING THE PLACEMENT AND LAYOUT OF THE DEVICES AND DETERMINING COMPLIANCE WITH THE APPLICABLE BUILDING CODES, OTHER CODES, LAWS AND REGULATIONS IS THE SOLE RESPONSIBILITY OF THE PURCHASER. INSTALLATION MUST BE PERFORMED BY A QUALIFIED INSTALLER FOLLOWING MANUFACTURER'S INSTRUCTIONS OTHERWISE AUTOMATIC SYSTEMS AMERICA INC.'S WARRANTIES MAY BE VOID.

SEE NOTE A - - -
 SEE NOTE B - - -
 SEE NOTE C - - -

E	2010/07/30	NOTES MODIFIED AND DIM ADDED.	GSY
---	------------	-------------------------------	-----

