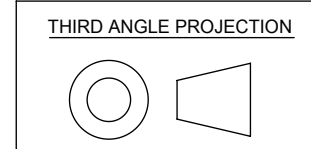
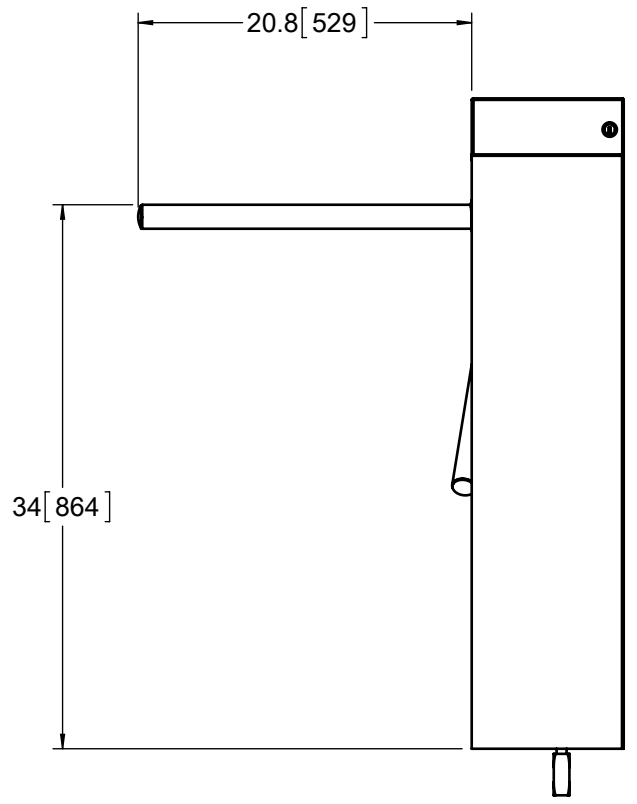
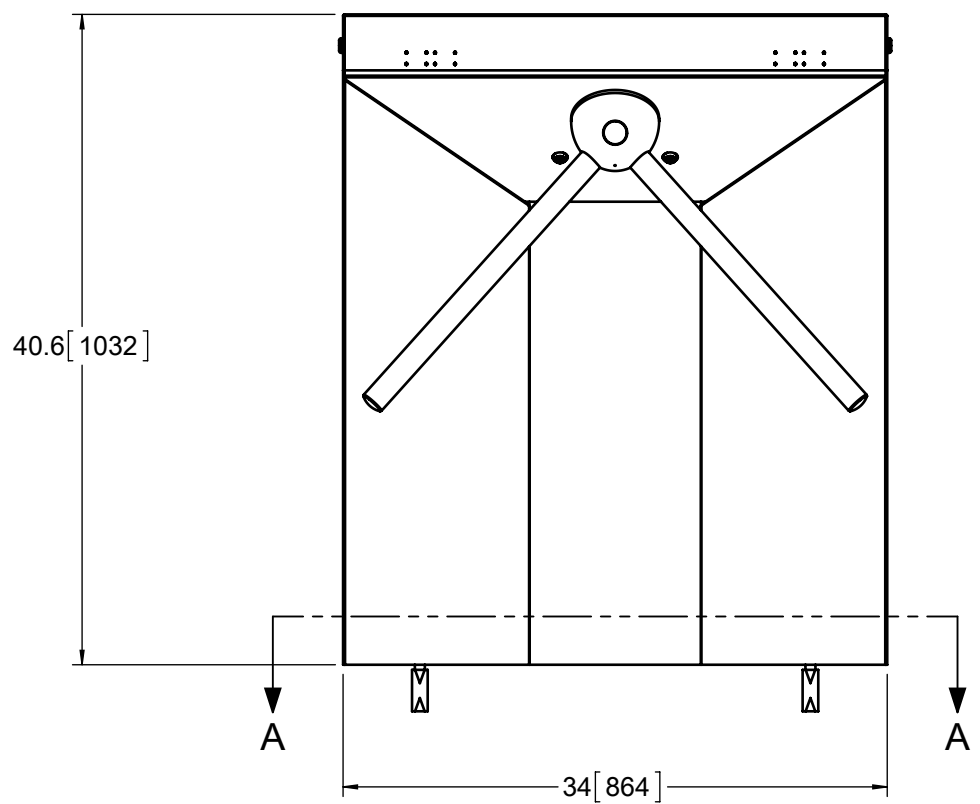
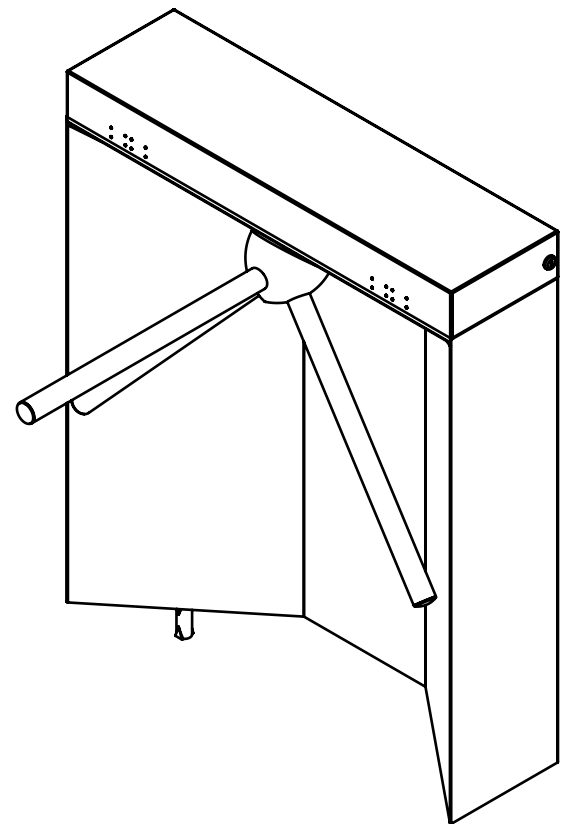
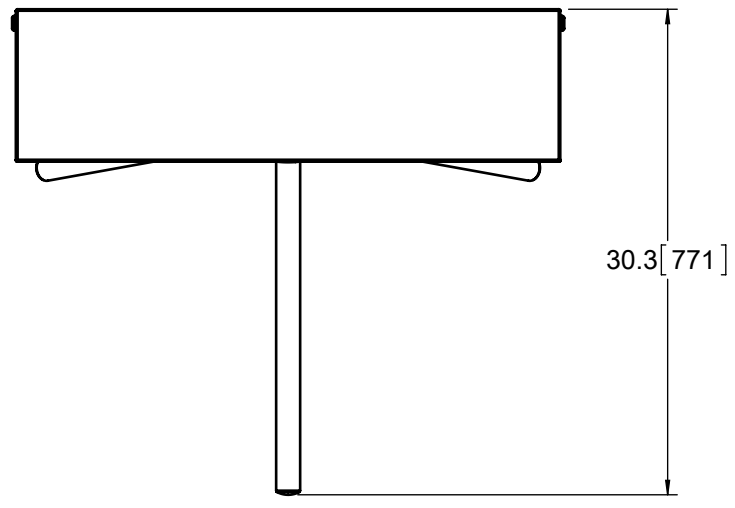


8 7 6 5 4 3 2 1

D
C
B
A

D
C
B
A

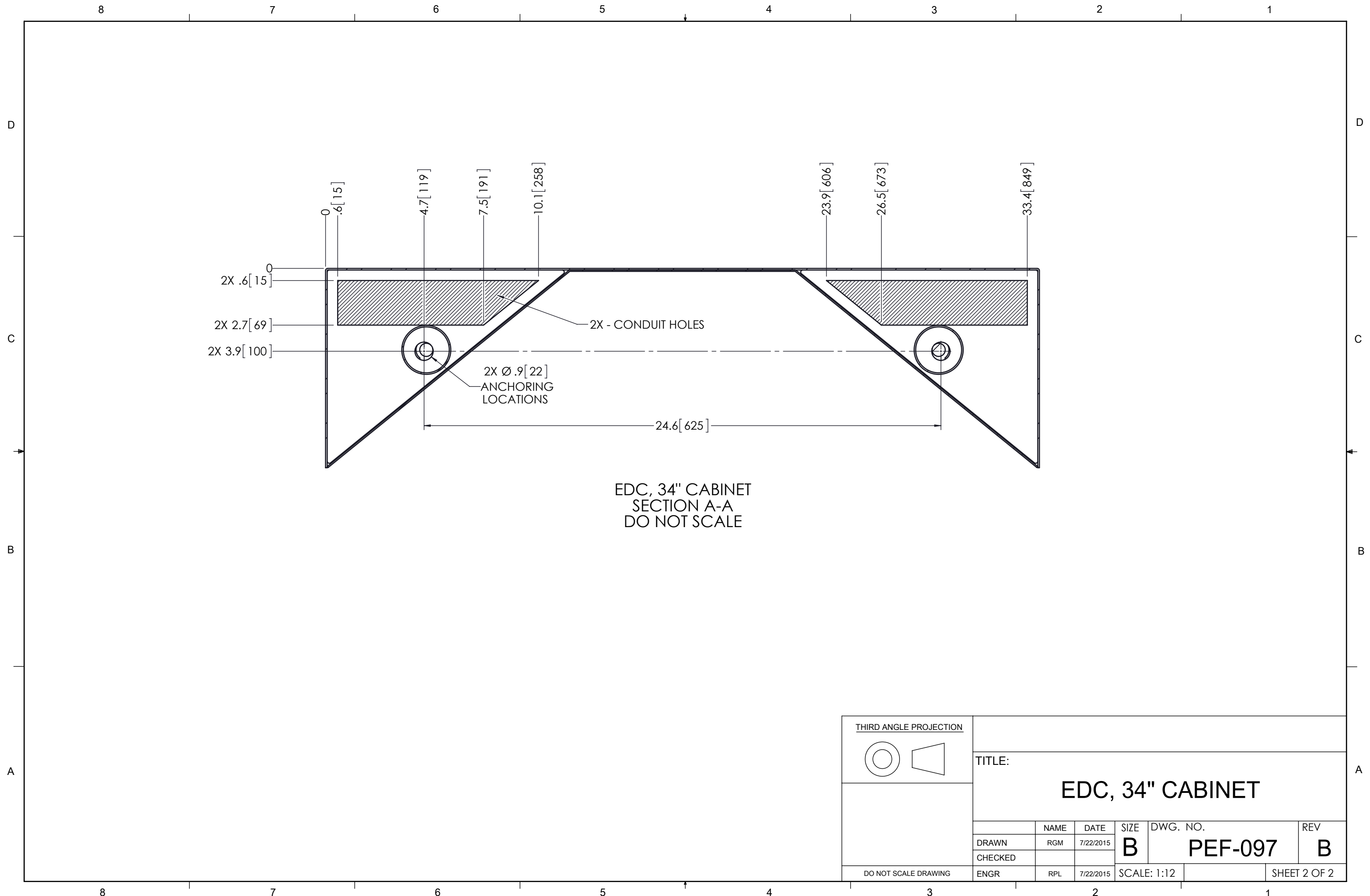


DO NOT SCALE DRAWING

TITLE:				
EDC, 34" CABINET				
	NAME	DATE	SIZE	DWG. NO.
	RGM	7/22/2015	B	PEF-097
	CHECKED			B
ENGR	RPL	7/22/2015	SCALE: 1:12	SHEET 1 OF 2

NOTES:
1. ALL DIMENSIONS ARE APPROXIMATE AND IN INCHES [mm].

8 7 6 5 4 3 2 1



EDC, 34" CABINET
SECTION A-A
DO NOT SCALE

THIRD ANGLE PROJECTION		TITLE:			
		EDC, 34" CABINET			
	NAME	DATE	SIZE	DWG. NO.	REV
DRAWN	RGM	7/22/2015	B	PEF-097	B
CHECKED					
DO NOT SCALE DRAWING		ENGR	RPL	7/22/2015	SCALE: 1:12
				SHEET 2 OF 2	